

UNIT DIMENSIONS

Dimensions

The outside dimensions of the Mansfield L850B ST including the Reduced Clearance Box is as follows:

Width = 1073 mm

Depth = 499 mm

Height = 927 mm

Height of optional Base Framing Kit = 300mm

Note: Base is non-combustible and needs assembly

Height of reduced clearance box off the ground should be a minimum of 300mm and supported by a non-combustible stand able to support 332kg.

Note: Depth is determined by the position of the nailing strips and thickness of non-combustible finished wall material.

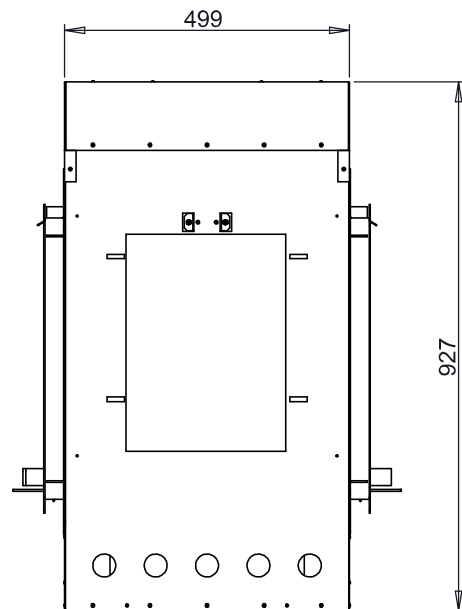
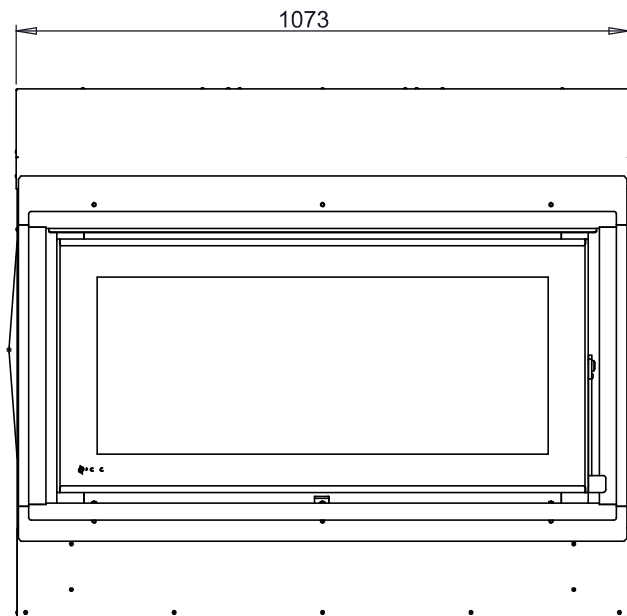
Flue

The flue must be a Regency triple skin type with approved cowl and must extend a minimum of 4.6 metres above the top of the floor protector.

Optional Ducting

2 x Optional fan forced ducting kit are available, using 150 mm ducting to a max run of 9 metres to channel warm air to another location.

REDUCED CLEARANCE BOX DIMENSIONS



WOOD FIREPLACE SPECIFICS AND MINIMUM CLEARANCES

Framing and Finishing Guide

Finishing material must be flush with the outer edge of Clean Edge Finish – see page on Installation Instructions.

Finishing material must not protrude past the outer edge of Clean Edge Finish – see on Installation Instructions.

All walls of the enclosure must be a minimum of 9 mm non-combustible material compliant with AS1530-1 and AS1530-3.

Please note: when selecting non-combustible material, wall temperatures can exceed 250°C. Clean edge trim standoffs top and both sides are set at 22mm. Leave a minimum 10mm gap from bottom of clean edge trim to non-combustible material to allow for expansion and contraction.

*Enclosure Depth = 569 mm – total thickness of finishing material on each side of the heater.

***Maximum finishing material thickness is 15 mm** on the front & back face of the enclosure to ensure a minimum air gap of 20 mm between the face of the reduced clearance box and the back face of the finishing material on each side of the heater.

Enclosure depth is noted with nailing strips (top & sides) set for the correct total thickness of non-combustible finished wall material.

Ceiling inside of the cavity is to be 2.4 metres minimum.

Ceiling in the room is to be 2.4 metres minimum.

Ceiling can be of combustible materials.

Enclosure Width = 1580 mm minimum

Enclosure volume is critical and must not be reduced.

The enclosure must be fitted with an air ventilation grill centrally located below one of the door openings and centrally located above one of the door openings, as high as possible. Minimum 1080mm above top of fuel loading door. Both grills must be installed as per diagram below.

Floor Protector Requirements

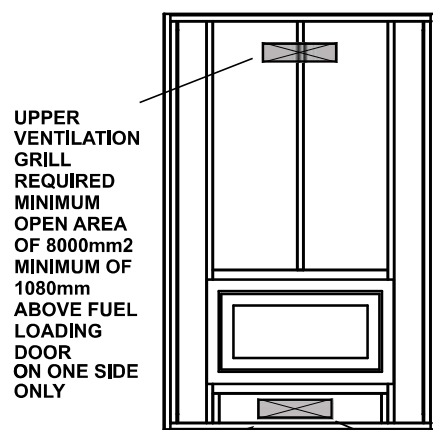
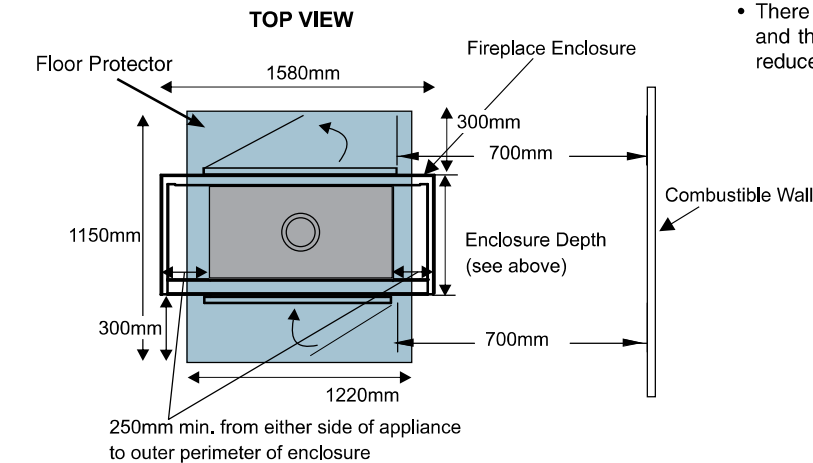
Floor protector needs to be 9mm thick non-combustible material, 1220mm wide and 300mm deep extending out from door on both sides. We do recommend that your non-combustible floor protector extends 900mm in front of the unit. This allows the floor to be protected when the door is fully open in case of ember drop.

The appliance must be installed on a non-combustible stand 300mm above the floor protector.

Framing

When constructing the framework for the enclosure :

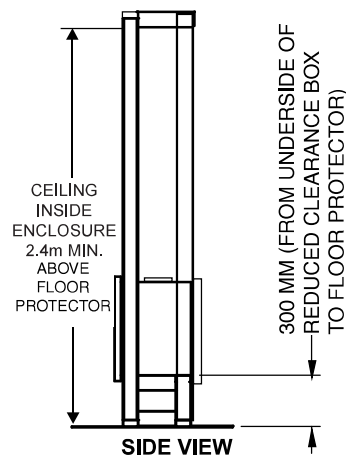
- All framing must be non-combustible material
- There must be a 25 mm clearance between any vertical or horizontal stud and the body of the reduced clearance box, to the sides and above the reduced clearance box.



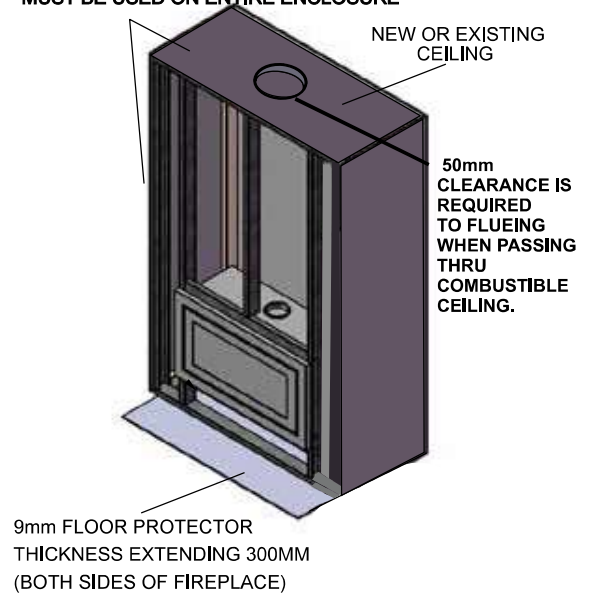
UPPER VENTILATION GRILL REQUIRED MINIMUM OPEN AREA OF 8000mm² MINIMUM OF 1080mm ABOVE FUEL LOADING DOOR ON ONE SIDE ONLY

BOTTOM OF VENT TO BE 50 MM MIN ABOVE FLOOR PROTECTOR

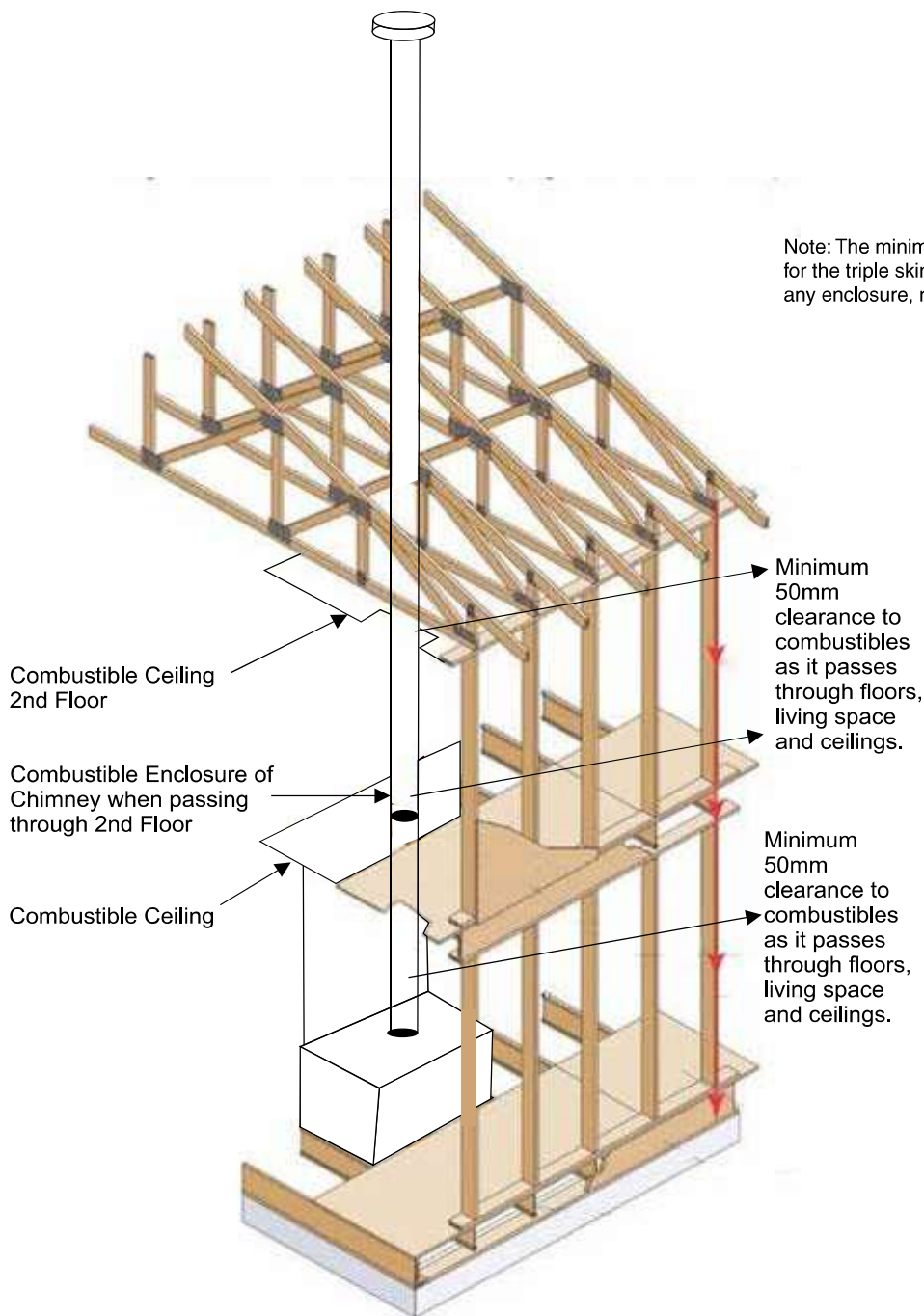
LOWER VENTILATION GRILL REQUIRED MINIMUM OPEN AREA OF 8000mm² ON ONE SIDE ONLY



NON COMBUSTIBLE FACING MATERIAL & NON COMBUSTIBLE FRAME MUST BE USED ON ENTIRE ENCLOSURE

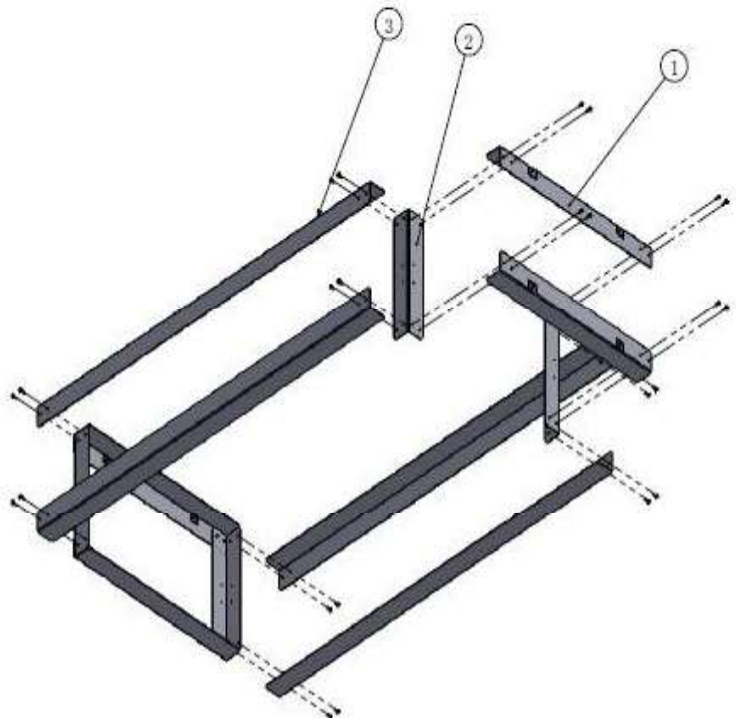
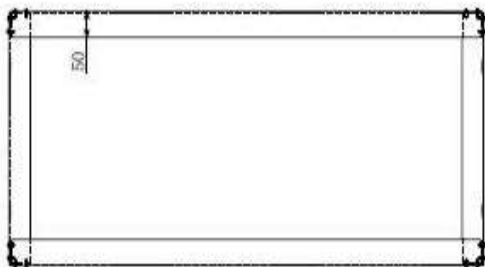
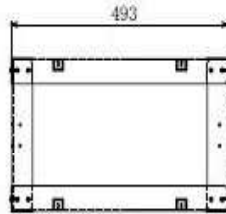
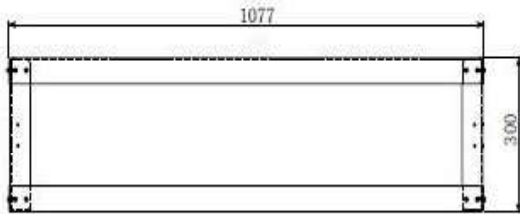


FLUE CLEARANCE TO COMBUSTIBLES



1. Ventilation grills = 2 grills, 1 below & 1 above fuel loading doors. Grills can be on the same or opposite sides of the enclosure. Require minimum 8000mm² of open area for each grill.
2. Require unit to be raised minimum of 300mm from floor protector.
3. Non-combustible board and steel framing is required for the entire enclosure however the ceiling may be of combustible material - see page 9 for minimum ceiling height.
4. Clearances to combustibles for triple skin flue as it passes through ceiling, living spaces = 50mm.
5. Non-combustible with walls of enclosure to be 9mm thick minimum.

OPTIONAL BASE FRAME



CONSTRUCTING YOUR OWN BASE FRAME

WHEN BUILDING YOUR OWN BASE FRAME OR PEDESTAL BASE PLEASE ENSURE THE FOLLOWING CONDITIONS ARE MET:

1. MINIMUM HEIGHT OF THE BASE FRAME IS 300MM FROM THE FLOOR PROTECTOR TO THE UNDERSIDE OF THE REDUCED CLEARANCE BOX. IF BASE FRAME DOES NOT SIT ON THE SAME LEVEL OF THE FLOOR PROTECTOR, THEN THE FRAME NEEDS TO BE MADE TALLER TO ENSURE THE 300MM CLEARANCE IS MET. (SEE PAGE 9).
2. ENSURE THE CENTRE OF THE BASE IS HOLLOW TO ALLOW THE HOOK-UP OF THE OPTIONAL OUTSIDE AIR KIT.
3. ENSURE THE BASE IS CONSTRUCTED OF NON-COMBUSTIBLE MATERIALS
4. ENSURE THE BASE CAN WITHSTAND THE WEIGHT OF AT LEAST 332KG PLUS.
5. ENSURE THE FLOOR BENEATH THE BASE CAN WITHSTAND AT LEAST 332KG PLUS.
6. THE BASE CANNOT BE OF SOLID CONSTRUCTION. COOLING AIR MUST BE ALLOWED TO FLOW UNOBSTRUCTED ACROSS THE BOTTOM OF THE REDUCED CLEARANCE BOX.